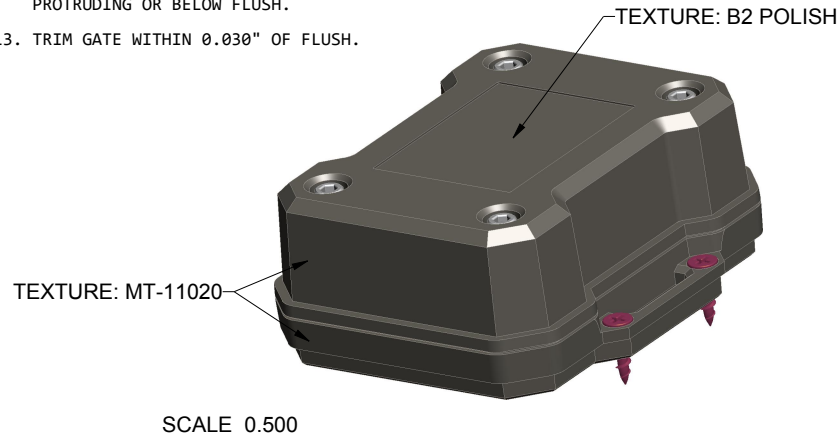
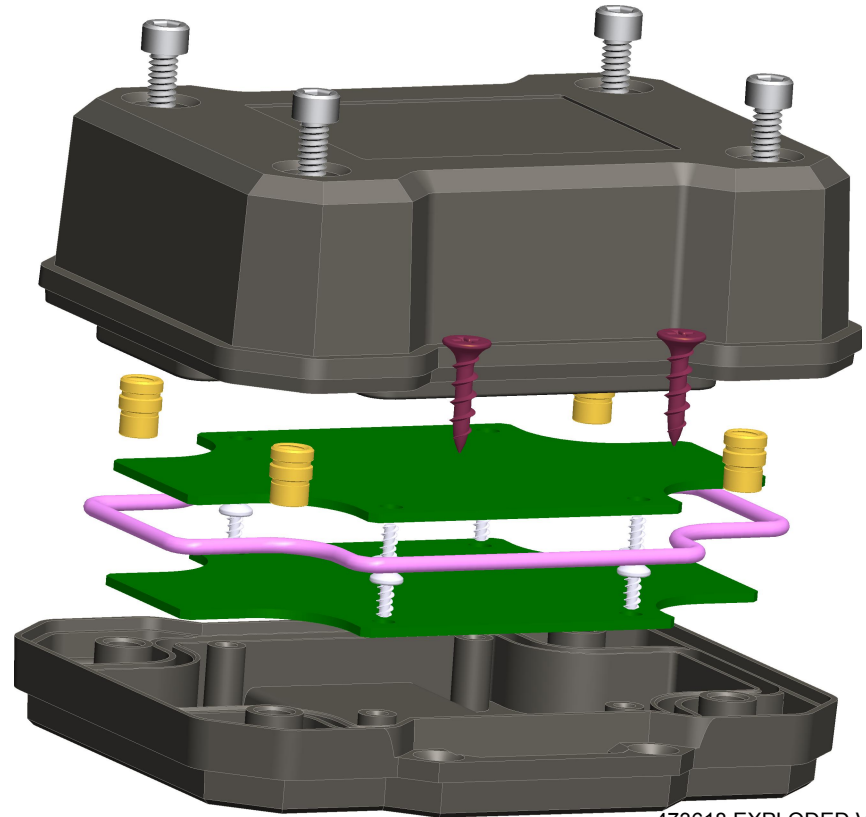


NOTES: UNLESS OTHERWISE SPECIFIED

- CORNERS DRAWN SHARP TO BE R.005 MAXIMUM.
- EXTERIOR SURFACE TEXTURE TO BE LIGHT EDM FINISH, EQUIVALENT TO MT-11020, EXCEPT WEHRE NOTED. TEXTURE ON ENCLOSURE WILL VARY FROM TIME TO TIME AS THE TOOL WEARS AND IT BECOMES NESSESARY TO REAPPLY.
- COVER INTERIOR SURFACE TEXTURE TO BE: B2 POLISH. BASE INTERIOR SURFACE TEXTURE TO BE: DRAW POLISH.
- ALL INSIDE RADII .010R. UNLESS OTHERWISE SPECIFIED.
- ALL EXTERNAL DIMENSIONS AFFECTED BY THE DRAFT APPLY AT THE LARGE END OF THE FEATURE, AND ALL INTERNAL FEATURES AFFECTED BY THE DRAFT APPLY AT THE SMALL END OF THE FEATURE UNLESS OTHERWISE SPECIFIED.
- ONE DEGREE DRAFT IN THE DIRECTION OF PULL IS PERMISSIBLE UNLESS OTHERWISE SPECIFIED.
- MATERIAL / COLOR: ENCLOSURE IN ASA PLASTIC IS STANDARD IN BLACK OR GRAY. SLIGHT COSMETIC SWIRLING, BLUSHING, AND/OR DISCOLORATION CAN OCCUR IN THIS ENCLOSURE DUE TO UV INHIBITORS IN THE RESIN. CUSTOM MATERIALS AND COLORS ARE AVAILABLE UPON REQUEST FOR QUOTE.
- PCB SIZES ARE RECOMMENDATIONS ONLY. FINAL SIZES AND VERIFICATION OF ITS FIT ARE THE SOLE RESPONSIBILITY OF EACH CUSTOMER.
- ASSEMBLY SCREWS FOR THE ENCLOSURE INCLUDED. MOUNTING SCREWS FOR THE PCB ARE SOLD SEPARATELY.
- THIS DRAWING IS BASED ON A SOLID MODEL, AND IS FURTHER DEFINED BY THE SOLID MODEL FILE.
- ALLOWABLE FLASH: 0.010 MAX.
- ALL EJECTOR PIN MARKS TO BE WITHIN 0.010" OF FLUSH, PROTRUDING OR BELOW FLUSH.
- TRIM GATE WITHIN 0.030" OF FLUSH.



R E V I S I O N					
REV.	DRAWN BY	ECO No	DESCRIPTION	DATE	APPROVE
A	M BOYER	PDCL 1807	PRELIMINARY RELEASE	2020-Apr-08	D.C.
B	R CRUZ		UPDATE PER DESIGN REVIEW	2020-Dec-21	D.C.
C	R CRUZ		ADJUST COVER RECESS, SPECIFY O-RING MATERIAL	2021-Jan-04	J.T.
D	M BOYER		PER REVIEW Feb 22, 2021	2021-Feb-23	J.T.
E	M BOYER		REVISE SIZE TO FIT 155 ORING. CHANGE PN FROM 473316 TO 473517	2021-Feb-24	J.T.
F	M BOYER		REVISE SIZE TO FIT CABLE GLAND. CHANGE PN FROM 473517 TO 473620	2021-Mar-03	J.T.
G	M BOYER		REVISE SHORTER. CHANGE PN FROM 473620 TO 473618	2021-Mar-10	J.T.
H	M BOYER		ADJUST LABEL RECESS	2021-Mar-26	J.T.
I	M BOYER		READJUST LABEL RECESS PER Apr 13 REVIEW	2021-Apr-13	



ITEM	FILE NAME	DESCRIPTION	MATERIAL	COLOR	QTY.
8	473618_ORING	OR-155 ORING - STANDARD	SILICONE - SHORE A	INCLUDED	1
7	SCREW_HILO-N04	#4 HILO SCREW x .375"	ZINC PLATED	CUSTOMER SUPPLIED	8
6	SCREW-DRYWALLX750	DRYWALL SCREW	REFERENCE ONLY	CUSTOMER SUPPLIED	4
5	473618_PCB	473618 PCB - REFERENCE	.062" THICK	CUSTOMER SUPPLIED	2
4	473618_COVER	473618 COVER - STANDARD	ASA	BLACK or GRAY	1
3	473618_BASE	473618 BASE - STANDARD	ASA	BLACK or GRAY	1
2	SHCS_10-24	S.H.C.S. 10-24 UNC X 1-1/2	STEEL	-	4
1	TRISTAR_10-24_INSERT	PEM INSERT 10-24	BRASS	-	4

BILL OF MATERIALS

THIRD ANGLE PROJECTION

 DO NOT SCALE DRAWING

TOLERANCES: UNLESS OTHERWISE SPECIFIED
 DIMENSIONS ARE IN U.S. INCHES.
 X.XX = .015 X.XXXX = .001
 X.XXX = .010 X.X" = 1"

NEW AGE ENCLOSURES
 Customer's Part No: 473618

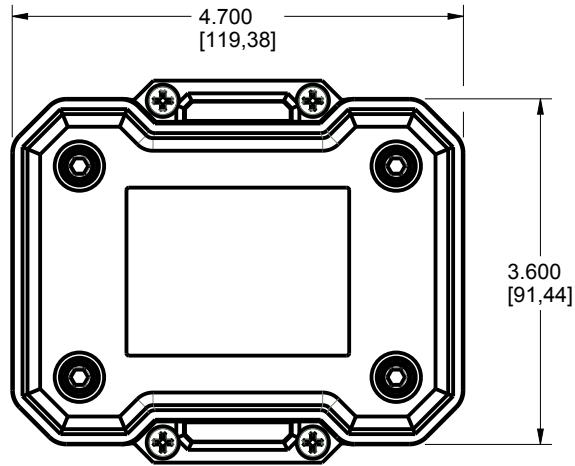
NEW AGE ENCLOSURES
 2240 South Thornburg Street Santa Maria, CA. 93455
 ph. (805) 595-1310 fax (805) 595-1024
www.newageenclosures.com

APPROVAL	BY	DATE
CHECK		
ENG.		
SCALE	AS NOTED	
DRAWN BY	M BOYER	
	2020-Apr-06	

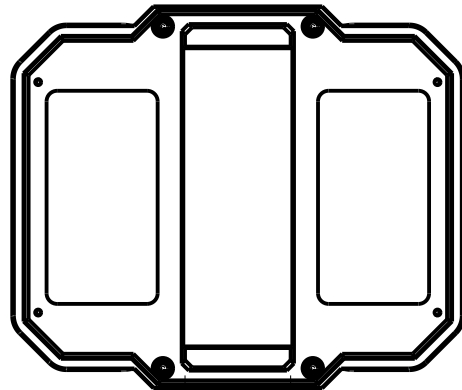
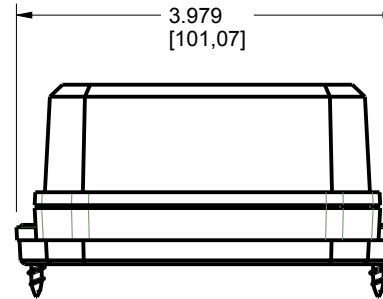
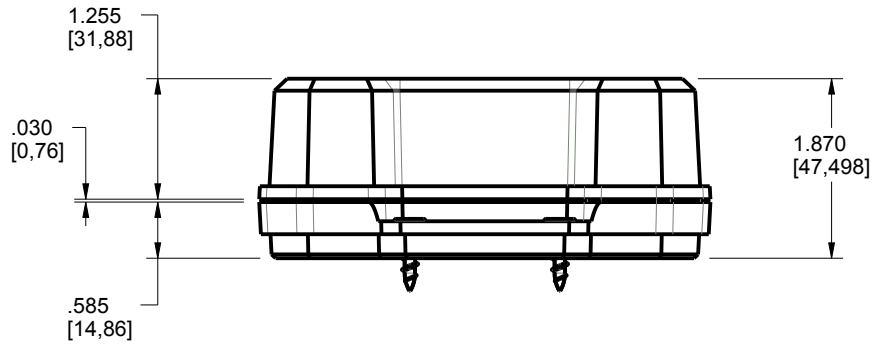
**RUGGED UTILITY - STANDARD
 SXX-473618-XXX**

SIZE	DRAWING NAME	SHEET	REV.DOC
A	473618_RI	1 OF 6	I

473618 ASSEMBLY



SCALE 0.500



1.100
[27,94]

TOLERANCES: UNLESS OTHERWISE SPECIFIED
DIMENSIONS ARE IN U.S. INCHES.
X.XX = .015 X.XXXX = .001
X.XXX = .010 X.X° = 1°

NEW AGE ENCLOSURES

Customer's Part No: 473618

APPROVAL BY DATE

CHECK

ENG.

SCALE AS NOTED

DRAWN BY M BOYER 2020-Apr-06

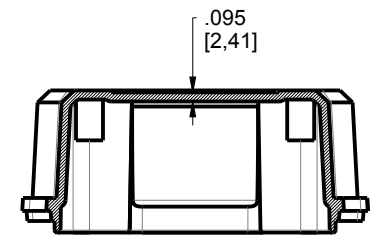
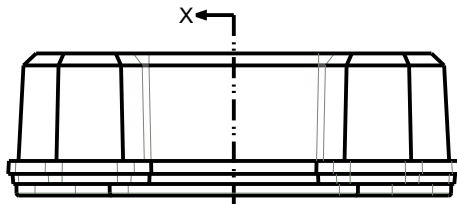
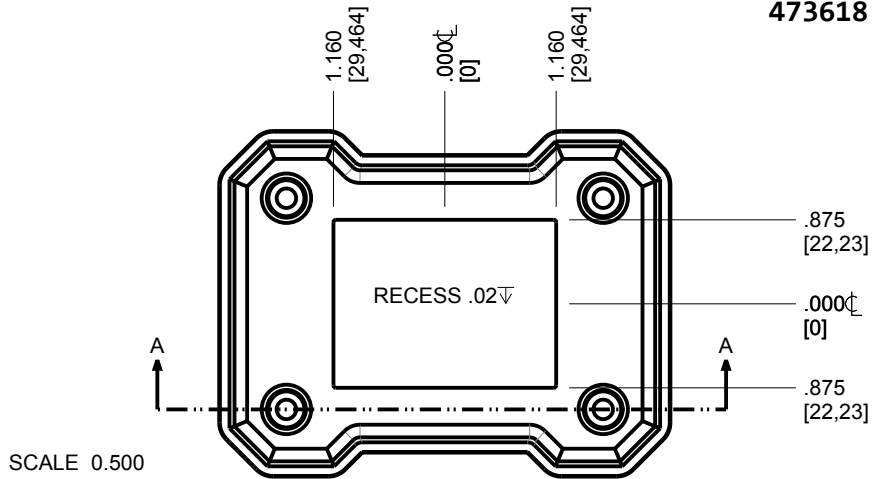
NEW AGE ENCLOSURES

2240 South Thornburg Street Santa Maria, CA. 93455
ph. (805) 595-1310 fax (805) 595-1024
www.newageenclosures.com

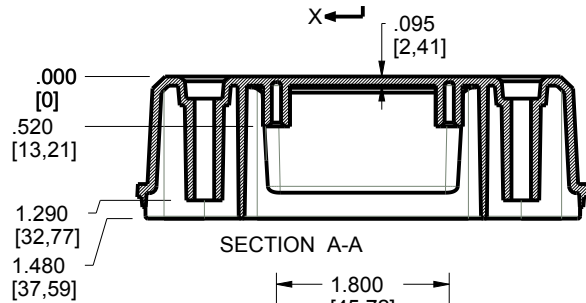
RUGGED UTILITY - STANDARD
SXX-473618-XXX

SIZE A DRAWING NAME 473618_RI SHEET 2 OF 6 REV.DOC I

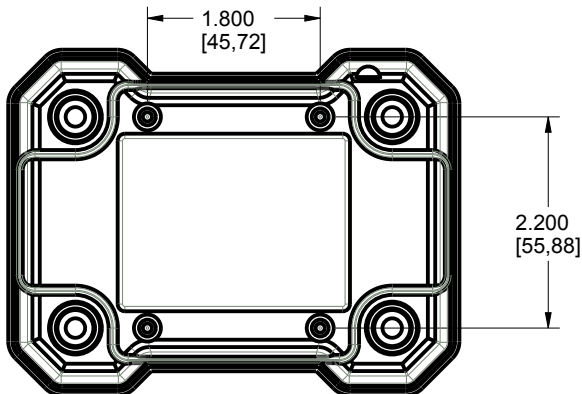
473618 COVER



SECTION X-X



SECTION A-A



TOLERANCES: UNLESS OTHERWISE SPECIFIED
DIMENSIONS ARE IN U.S. INCHES.
X.XX = .015 X.XXXX = .001
X.XXX = .010 X.X° = 1°

NEW AGE ENCLOSURES
Customer's Part No: 473618

APPROVAL	BY	DATE
CHECK		
ENG.		
SCALE	AS NOTED	

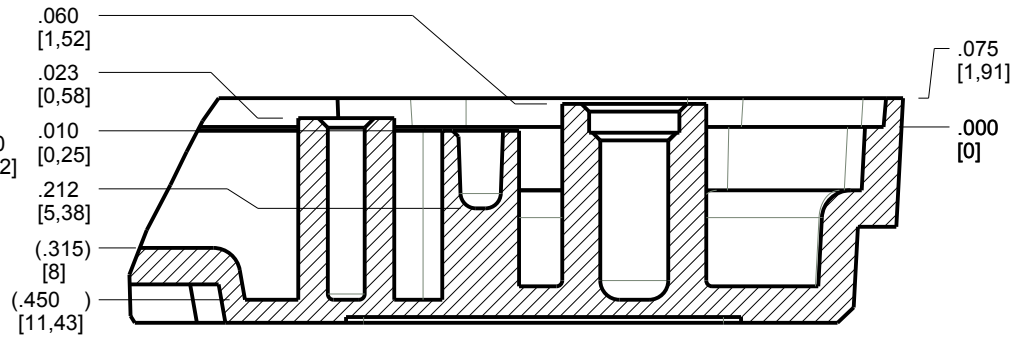
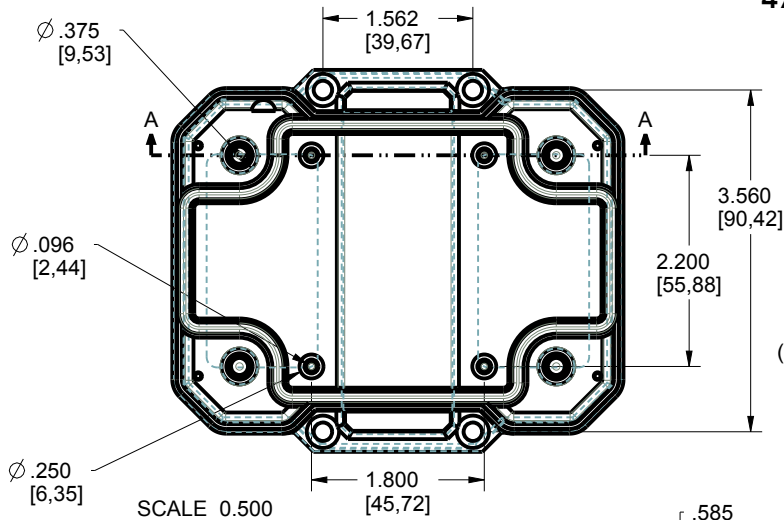
DRAWN BY
M BOYER 2020-Apr-06

NEW AGE ENCLOSURES
2240 South Thornburg Street Santa Maria, CA. 93455
ph. (805) 595-1310 fax (805) 595-1024
www.newageenclosures.com

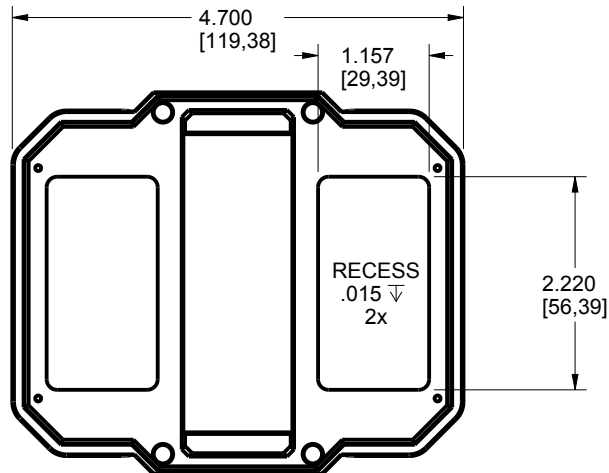
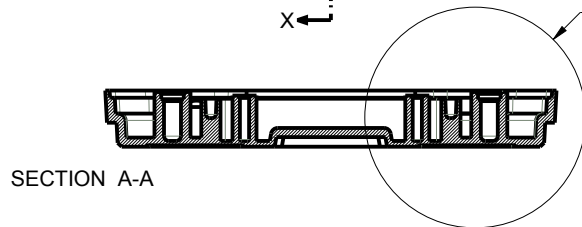
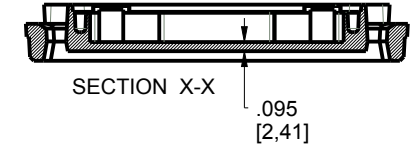
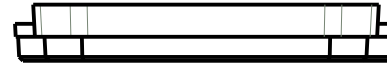
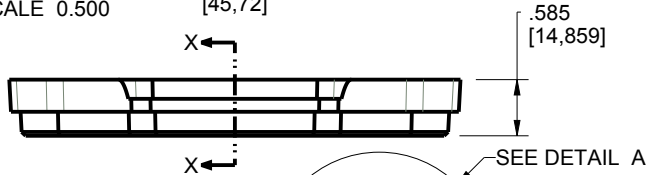
RUGGED UTILITY - STANDARD
SXX-473618-XXX

SIZE A	DRAWING NAME 473618_RI	SHEET 3 OF 6	REV.DOC I
-----------	---------------------------	-----------------	--------------

473618 BASE



DETAIL A
SCALE 2.000



TOLERANCES - UNLESS OTHERWISE SPECIFIED
DIMENSIONS ARE IN U.S. INCHES.
 X.XX = .015 X.XXXX = .001
 X.XXX = .010 X.X° = 1°

NEW AGE ENCLOSURES
 Customer's Part No: 473618

APPROVAL	BY	DATE
CHECK		
ENG.		
SCALE	AS NOTED	

DRAWN BY
M BOYER 2020-Apr-06

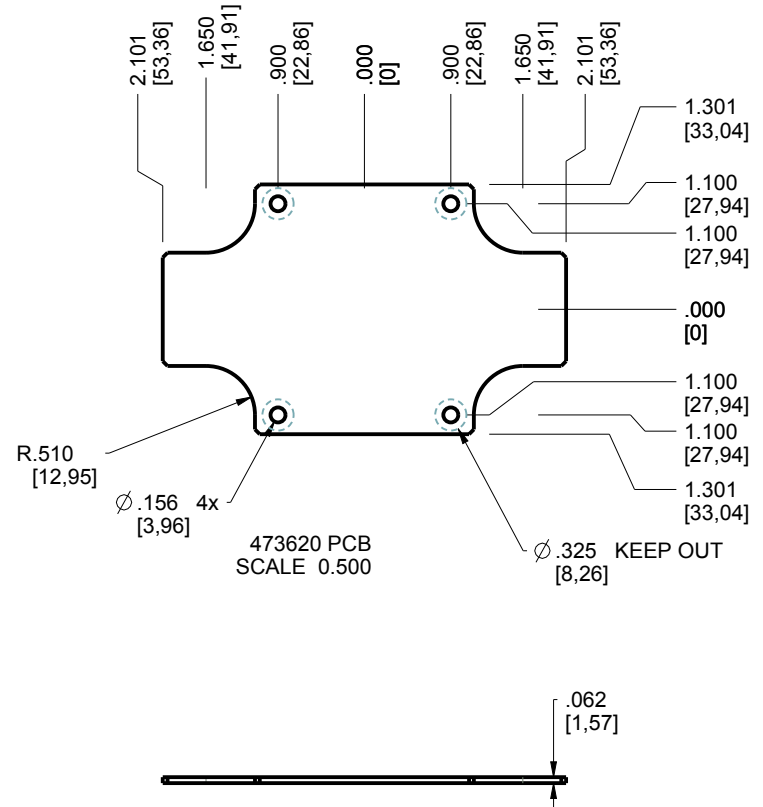
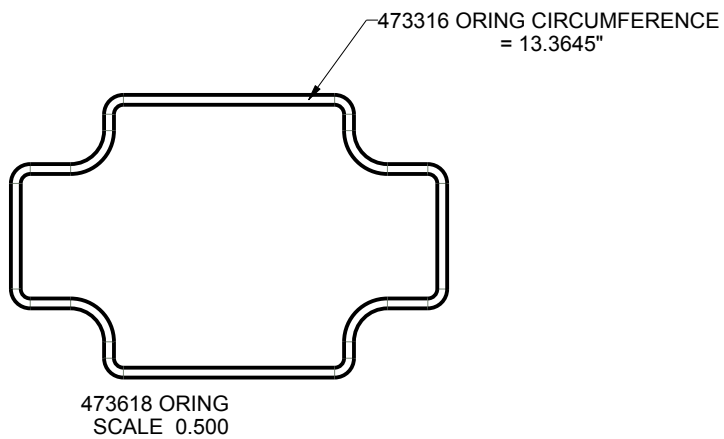
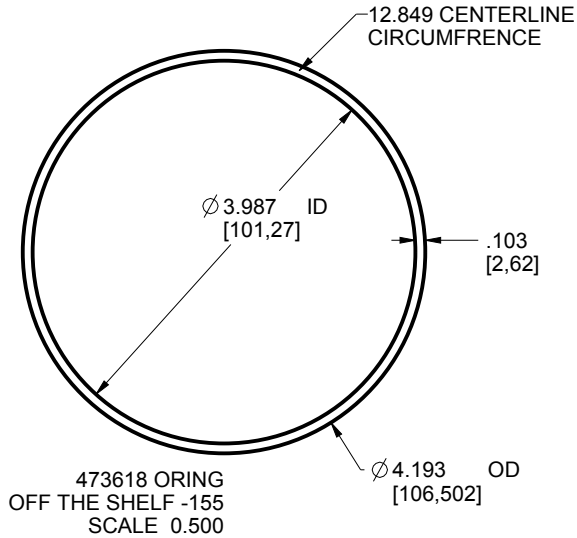
NEW AGE ENCLOSURES
 2240 South Thornburg Street Santa Maria, CA. 93455
 ph. (805) 595-1310 fax (805) 595-1024
www.newageenclosures.com

RUGGED UTILITY - STANDARD
SXX-473618-XXX

SIZE A	DRAWING NAME 473618_RI	SHEET 4 OF 6	REV.DOC I
-----------	---------------------------	-----------------	--------------

473618 PCB - CUSTOMER SUPPLIED

PCB SIZES ARE RECOMMENDATIONS ONLY. FINAL SIZES AND VERIFICATION OF ITS FIT ARE THE SOLE RESPONSIBILITY OF THE OEM.



TOLERANCES: UNLESS OTHERWISE SPECIFIED
DIMENSIONS ARE IN U.S. INCHES.
X.XX = .015 X.XXXX = .001
X.XXX = .010 X.X° = 1°

NEW AGE ENCLOSURES

Customer's Part No: 473618

APPROVAL	BY	DATE
CHECK		
ENG.		
SCALE	AS NOTED	

DRAWN BY
M BOYER 2020-Apr-06

NEW AGE ENCLOSURES

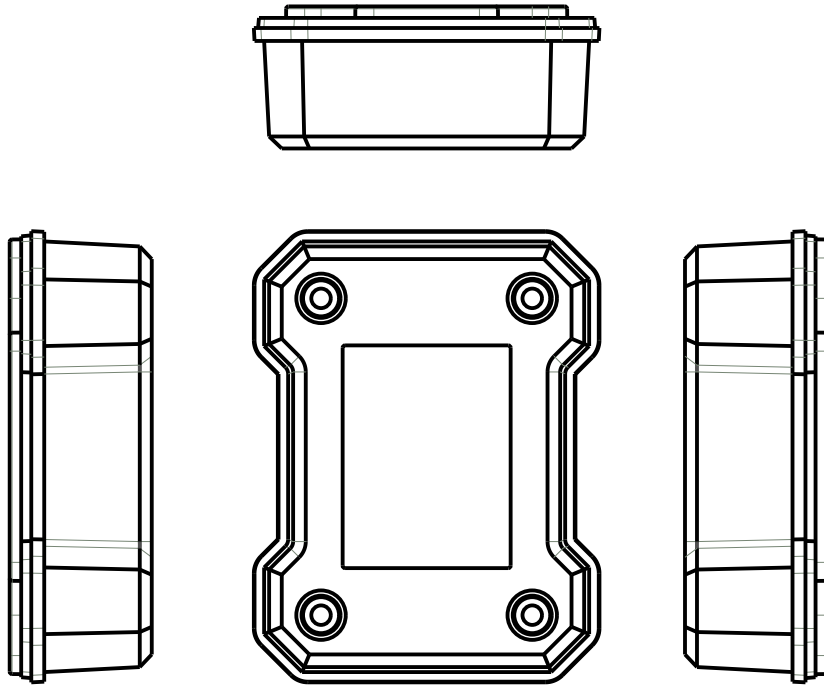
2240 South Thornburg Street Santa Maria, CA. 93455
ph. (805) 595-1310 fax (805) 595-1024
www.newageenclosures.com

**RUGGED UTILITY - STANDARD
SXX-473618-XXX**

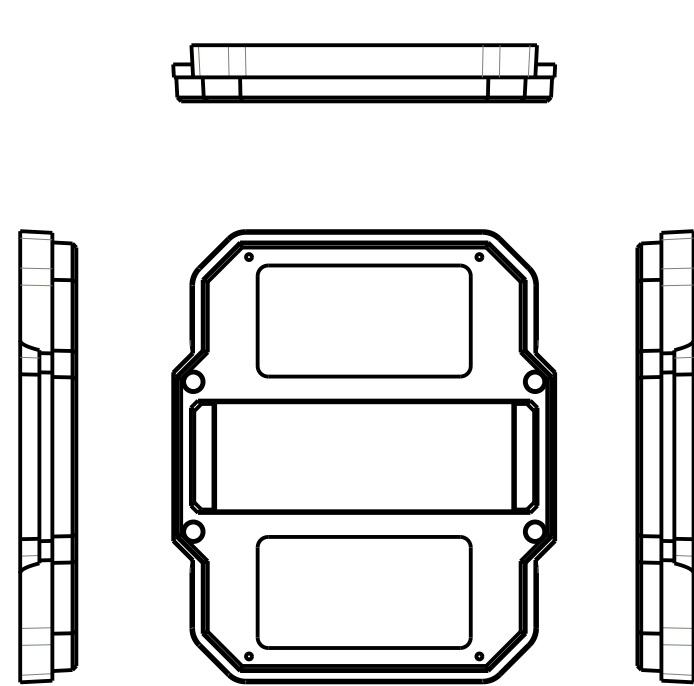
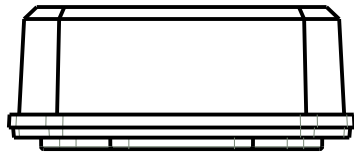
SIZE A	DRAWING NAME 473618_RI	SHEET 5 OF 6	REV.DOC I
-----------	---------------------------	-----------------	--------------

473618 - 2nd OPERATION DETAILS

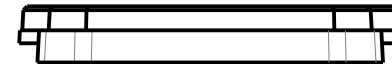
NEW AGE ENCLOSURES DELIVERS YOUR ENCLOSURE MARKET-READY WITH IN-HOUSE CNC MACHINING, PAD PRINTING, ASSEMBLY, AND FULFILLMENT. ALL SURFACES AND AREAS ARE AVAILABLE FOR CNC ALTERATION BY NEW AGE ENCLOSURES CALL (805) 595-1310 FOR PRICING AND SCHEDULE. THE INSIDE RADIUS OF ANY MACHINED FEATURES SHOULD BE NO SMALLER THAN .031"



473618 COVER
SCALE 0.500



473618 BASE
SCALE 0.500



TOLERANCES: UNLESS OTHERWISE SPECIFIED
DIMENSIONS ARE IN U.S. INCHES.
X.XX = .015 X.XXXX = .001
X.XXX = .010 X.X° = 1°

NEW AGE ENCLOSURES

Customer's Part No: 473618

APPROVAL BY DATE

CHECK

ENG.

SCALE AS NOTED

DRAWN BY M BOYER 2020-Apr-06

NEW AGE ENCLOSURES

2240 South Thornburg Street Santa Maria, CA. 93455
ph. (805) 595-1310 fax (805) 595-1024

www.newageenclosures.com

**RUGGED UTILITY - STANDARD
SXX-473618-XXX**

SIZE A DRAWING NAME 473618_RI

SHEET 6 OF 6 REV.DOC I

SXX-473618-XXX COVER - ASA, BLACK

STEP	DESCRIPTION	CUTTER	FIXTURE	ORIENTATION	PROGRAM
1-C-C1	-	T2 = .062" EM	-	-	o1001
2-C-C2	-	T2 = .062" EM	-	-	o1002